

VAC.50s+

Vacuum drilling machine

EUROBOOR

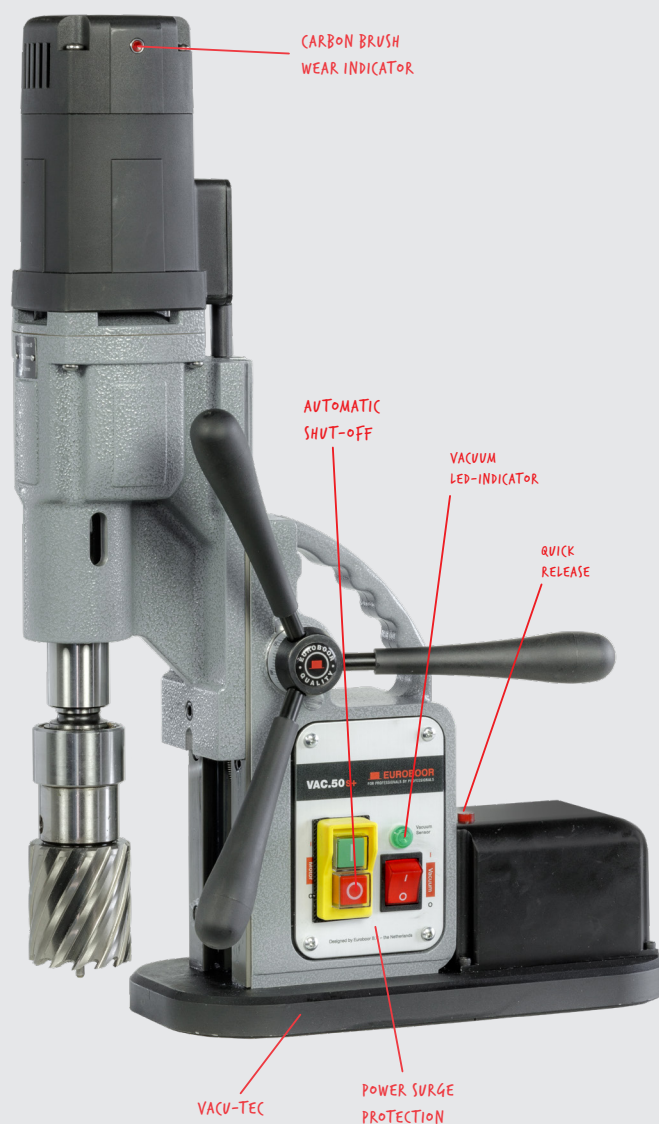
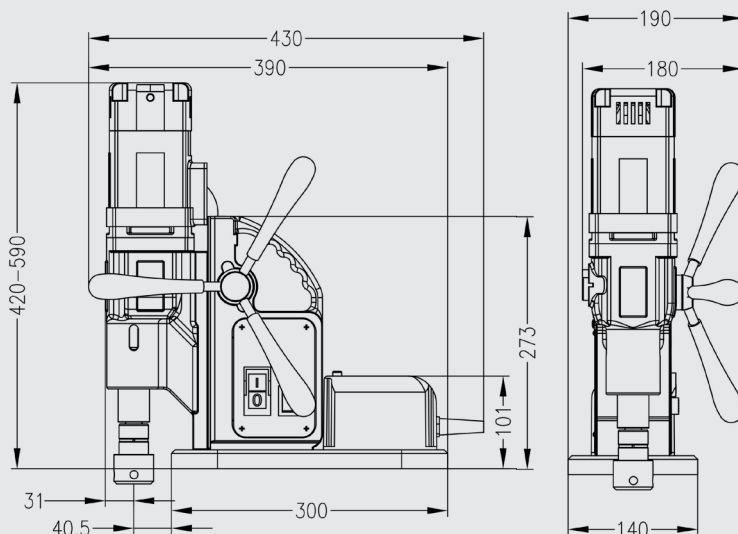
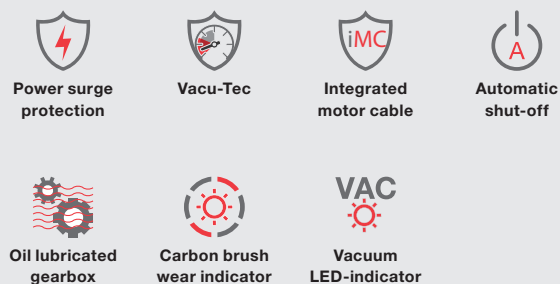
FOR PROFESSIONALS BY PROFESSIONALS

Technical data

	Metric	Imperial
Annular cutting:		
- steel and hard metals	Ø 12 - 30 mm	Ø 7/16" - 1 3/16"
- other metals and plastic	Ø 12 - 50 mm	Ø 7/16" - 2"
Twist drilling:		
- steel and hard metals	Ø 1 - 13 mm	Ø 1/16" - 1/2"
- other metals and plastic	Ø 1 - 23 mm	Ø 1/16" - 15/16"
Countersinking	Ø 10 - 55 mm	Ø 3/8" - 2 3/16"
<hr/>		
Length	430 mm	16 15/16"
Width	190 mm	7 1/2"
Height	420 - 590 mm	16 17/32" - 23 7/32"
Stroke	170 mm	6 11/16"
Weight*	9.9 kg	21.8 lbs
Vac-base (l x w x h)	300 x 140 x 21 mm	11 13/16" x 5 1/2" x 13/16"
Adsorption force	300 kg	661 lbs
<hr/>		
Vacuum motor (integrated)		
- Air flow	15 L/min	0.53 cfm
- Gauge pressure	-80 kPa	-11.6 psi
- Power	12 W	1 A
- Voltage	12 V	12 V
Motor power	1,250 W	11.4 A
Total power	1,300 W	11.8 A
Speed		(I) 380 rpm
(no load)		(II) 690 rpm
Speed		(I) 235 rpm
(load 1,250 W, 11.4 A)		(II) 415 rpm
Spindle (Weldon)	MT3 19.05 mm	MT3 3/4"
Voltage	110-120 V / 60 Hz	
	220-240 V / 50-60 Hz	

* Without power cord and handles

Features



Euroboor makes every effort to meet quality and integrity requirements. That is why we as an organization are proud of the recognition of some leading organizations worldwide:



www.euroboor.com