

# ECO.40s+/P

## Magnetic drilling machine

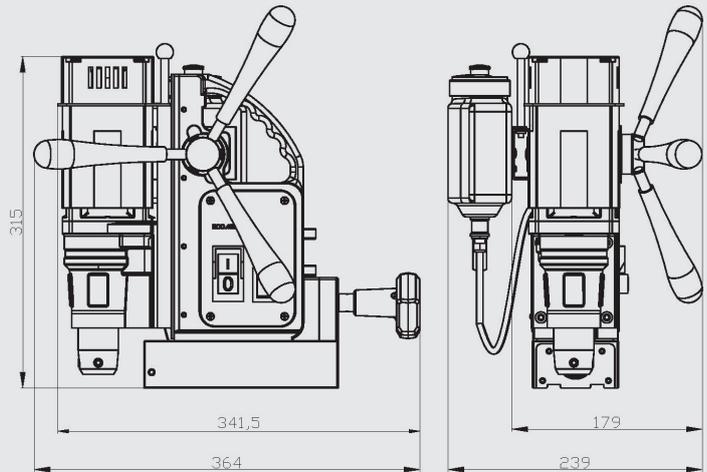
**EUROBOOR**

FOR PROFESSIONALS BY PROFESSIONALS

### Technical data

	Metric	Imperial
Annular cutting	Ø 12 - 40 mm	Ø 7/16" - 1 9/16"
Twist drilling	Ø 1 - 16 mm	Ø 1/16" - 5/8"
Countersinking	Ø 10 - 45 mm	Ø 3/8" - 1 3/4"
Length	364 mm	14 5/16"
Width	179 mm	7 1/16"
Height	315 mm - 465 mm	12 3/8" - 18 5/16"
Stroke	150 mm	5 7/8"
Weight*	12.3 Kg	27.1 lbs
Magnet (l x w x h)	183 x 85 x 45 mm	7 3/16" x 3 3/4" x 1 3/4"
Magnetic force	900 Kg	1984 lbs
Motor power	1150 W	10.5 A - 110 V / 60 Hz
Total power	1150 W	10.5 A - 110 V / 60 Hz
Speed (no load)	600 rpm	
Speed (load 1150 W, 10.5 A)	380 rpm	
Spindle	19.05 Weldon	3/4 Weldon
Voltage	110 - 120 V / 60 Hz 220 - 240 V / 50 - 60 Hz	

\* Without power cord and handles



### Features



Power surge protection



Power fluctuation protection



Gyro-Tec



Integrated motor cable



Automatic shut-off



Oil lubricated gearbox



Carbon brush wear indicator



Permanent magnet



Magnet LED-indicator (SensorTec)



Euroboor makes every effort to meet quality and integrity requirements. That is why we as an organization are proud of the recognition of some leading organizations worldwide:



[www.euroboor.com](http://www.euroboor.com)