

# ECO.32-T

## Magnetic drilling machine

**EUROBOOR**  
FOR PROFESSIONALS BY PROFESSIONALS

### Technical data

	Metric	Imperial
Annular cutting	Ø 12 - 32 mm	Ø 1/2" - 1 1/4"
Twist drilling	Ø 1 - 13 mm	Ø 1/16" - 1/2"
Countersinking	Ø 10 - 40 mm	Ø 3/8" - 1 9/16"
Tapping	Ø M3 - M12	Ø 1/8" - 1/2"
Length	320 mm	12 5/8"
Width	210 mm	8 1/4"
Height	370 - 512 mm	14 9/16" - 20 3/16"
Stroke	150 mm	5 15/16"
Weight*	11 kg	24,3 lbs
Magnet (l x w x h)	160 x 80 x 42 mm	6 5/16" x 3 1/8" x 1 5/8"
Magnetic force	1.500 kg	3.305 lbs
Motor power	1.000 W	9,1 A
Total power	1.050 W	9,5 A
Speed (no load)	100 - 600 rpm	
Speed (load 1.000 W, 9,1 A)	225 rpm	
Spindle (Weldon)	19,05 mm	3/4"
Voltage	110 - 120 V / 60 Hz 220 - 240 V / 50 - 60 Hz	

\* Without power cord and handles

### Features



Adjustable speed



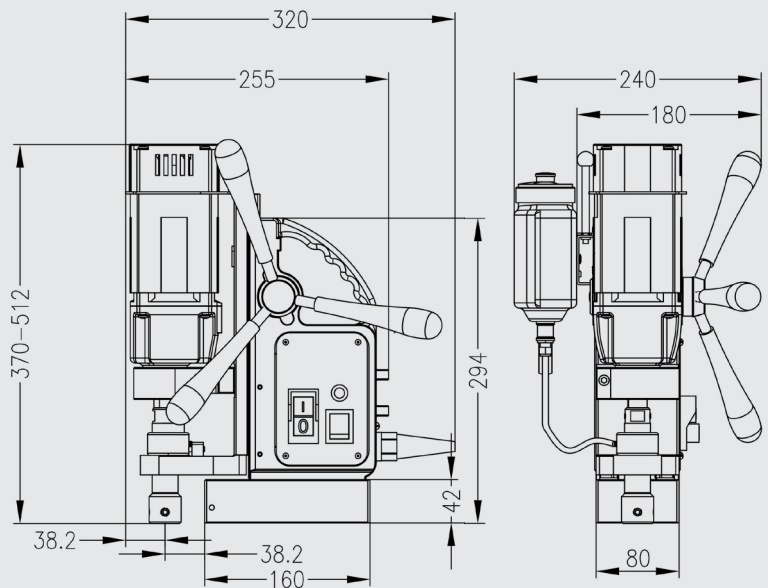
R/L rotation



Magnet LED-indicator (SensorTec)



Tapping



Euroboor makes every effort to meet quality and integrity requirements. That is why we as an organization are proud of the recognition of some leading organizations worldwide:



[www.euroboor.com](http://www.euroboor.com)